

Central Power Hub

Reliable Power and Device Monitoring for up to 16 Extender Units

The Black Box Central Power Hub feeds 8 or 16 KVM extender units (5 VDC or 12 VDC) with up to 30 Watts per port. It features a unique browser-based user interface for configuration and monitoring of system power status. With the option for a redundant, hot-swappable 600 khrs power supplies, it ensures 24/7 operation of your critical devices, while at the same time saving rack space to eliminate additional external power supplies in your rack.

The Central Power Hub is available as 8 or 16 port models and is compatible with both Black Box Emerald® and Agility KVM Extenders.

It's ideal for applications that require reliable operation of critical KVM infrastructure, such as control or command rooms, industrial process monitoring, or traffic control.

Benefits and Features

- Feed to 5VDC devices with up to 30 watts per port.
- Available with 8 or 16 ports.
- WebUI for configuration and monitoring of system power status.
- Highest resilience with hot-swappable 600 khrs power supplies.
- Clean professional installation with lockable 3-pin DC connectors in only 1 RU.
- Power multiple Emerald, KVXHP, or Agility units in applications requiring high availability.

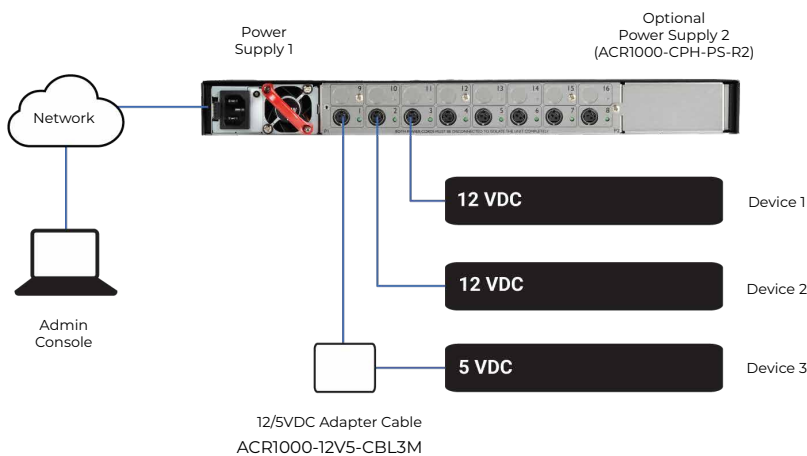
Front View



Rear View



Connection Diagram



Part Numbers

ACR1000-CPH8R-R2	Central Power Hub - 8 Ports
ACR1000-CPH16R-R2	Central Power Hub - 16 Ports
ACR1000-12V5-CBL3M	Power Converter Cable 12VDC/5VDC
ACR1000-CPH-PS-R2	Spare or Redundancy Power Supply
ACR1000-3PL-CBL2M	Power cable