

## Central Power Hub

### Reliable Power and Device Monitoring for up to 16 Extender Units

The Black Box Central Power Hub feeds 8 or 16 KVM extender units (5 VDC or 12 VDC ) with up to 30 Watts per port. It features a unique browser-based user interface for configuration and monitoring of system power status. With the option for a redundant, hot-swappable 600 khrs power supplies, it ensures 24/7 operation of your critical devices, while at the same time saving rack space to eliminate additional external power supplies in your rack.

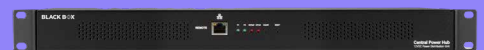
The Central Power Hub is available as 8 or 16 port models and is compatible with both Black Box Emerald® and Agility KVM Extenders.

It's ideal for applications that require reliable operation of critical KVM infrastructure, such as control or command rooms, industrial process monitoring, or traffic control.

### Benefits and Features

- Feed to 5VDC devices with up to 30 watts per port.
- Available with 8 or 16 ports.
- WebUI for configuration and monitoring of system power status.
- Highest resilience with hot-swappable 600 khrs power supplies.
- Clean professional installation with lockable 3-pin DC connectors in only 1 RU.
- Power multiple Emerald, KVXHP, or Agility units in applications requiring high availability.

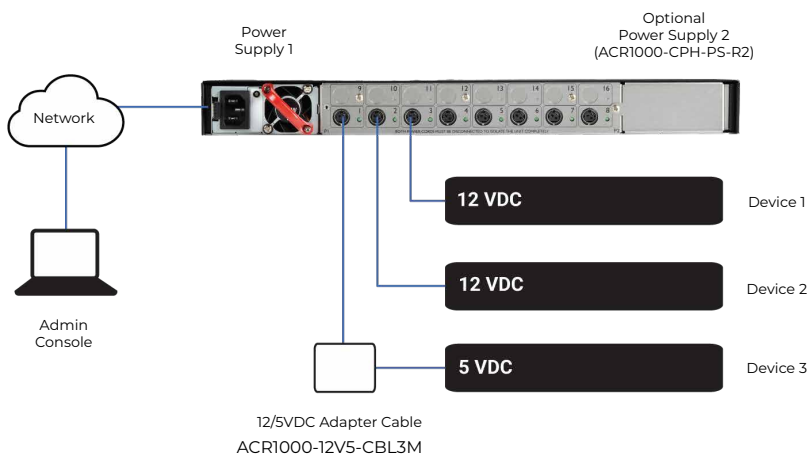
#### Front View



#### Rear View



### Connection Diagram



#### Part Numbers

ACR1000-CPH8R-R2	Central Power Hub - 8 Ports
ACR1000-CPH16R-R2	Central Power Hub - 16 Ports
ACR1000-12V5-CBL3M	Power Converter Cable 12VDC/5VDC
ACR1000-CPH-PS-R2	Spare or Redundancy Power Supply
ACR1000-3PL-CBL2M	Power cable